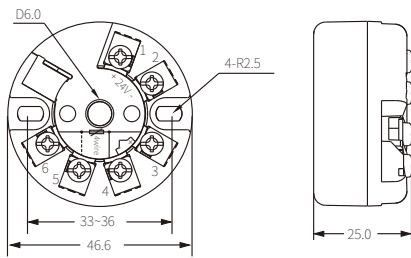


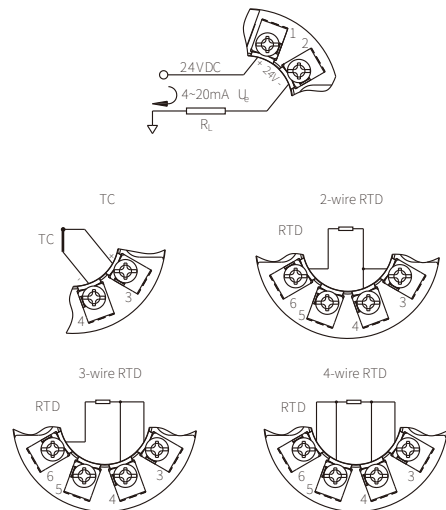
Isolated Temperature Transmitter

	CZWB110 CZWB110-EX RTD Input	CZWB120 CZWB120-EX TC Input	CZWB130 CZWB130-EX RTD/TC Input
Input			
Input signal	Pt100, Cu100, Cu50	T、E、J、K、N、R、S、B	Pt100, Cu100, Cu50 T、E、J、K、N、R、S、B
Internal CJC temperature range		-20°C~+60°C	-20°C~+60°C
Compensation accuracy		±1°C	±1°C
Output			
Output current	4~20mA	4~20mA	4~20mA
Current output load resistance	$R_L \leq (U_e - 12) / 0.021$	$R_L \leq (U_e - 12) / 0.021$	$R_L \leq (U_e - 12) / 0.021$
Fault Current of Overrange/Underrange	$I_H \approx 20.8mA / I_L \approx 3.8mA$	$I_H \approx 20.8mA / I_L \approx 3.8mA$	$I_H \approx 20.8mA / I_L \approx 3.8mA$
Fault Current of Line Break	$I \approx 20.8mA$	$I \approx 20.8mA$	$I \approx 20.8mA$
General characteristic			
Supply voltage	12~30V DC Ex: 12~28V DC	12~30V DC Ex: 12~28V DC	12~30V DC Ex: 12~28V DC
Accuracy	See Input signal and range list	See Input signal and range list	See Input signal and range list
Temperature drift	0.01%F.S./°C	0.01%F.S./°C	0.01%F.S./°C
Response time	Reach 90% of final value in 1s	Reach 90% of final value in 1s	Reach 90% of final value in 1s
Dielectric strength	1500V DC; 1min	1500V DC; 1min	1500V DC; 1min
Insulation resistance	≥100MΩ	≥100MΩ	≥100MΩ
EMC standards	GB/T 18268 (IEC 61326-1)	GB/T 18268 (IEC 61326-1)	GB/T 18268 (IEC 61326-1)
Ambient temperature	-40°C~+85°C Ex: T4: -40°C~+60°C T6: -40°C~+50°C	-40°C~+85°C Ex: T4: -40°C~+60°C T6: -40°C~+50°C	-40°C~+85°C Ex: T4: -40°C~+60°C T6: -40°C~+50°C
Ex approvals (Ex)	Ex ia II C T4/T6 Ga (CZWB110-EX)	Ex ia II C T4/T6 Ga (CZWB120-EX)	Ex ia II C T4/T6 Ga (CZWB130-EX)

Dimensions



Application



Note:

1. Terminals 3 and 4 must be connected when 2-wire RTD inputs.
2. 3-wire input, wire resistance should be as same as possible, otherwise it will increase the error of measurement.