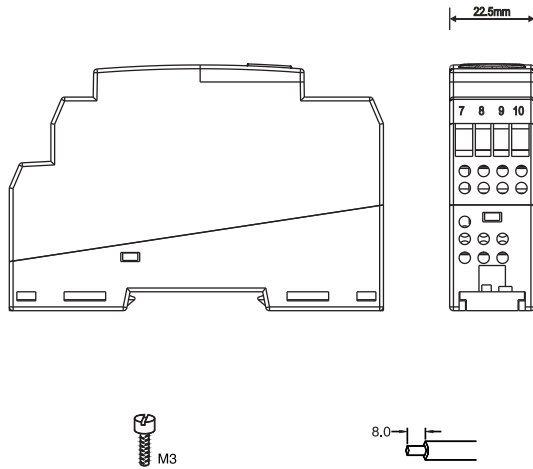


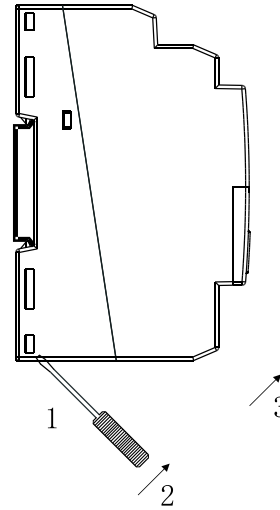
■ Connections

(1) This instrument adopts screw to fix terminals directly, convenient to use, reliable to contact.



■ Disassembly

- (1) Insert a screwdriver (its edge length $\leq 6\text{mm}$) into the downside metal lock of the instrument;
- (2) Push the screwdriver upwards, then prize the plastic lock downwards;
- (3) Take the instrument out of the guide rail.

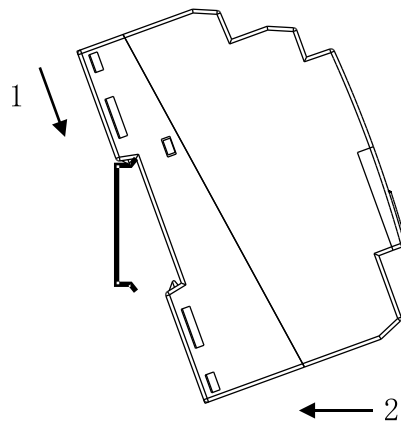


■ Installation

Designed for mounting on 35mm DIN guide rail.

Installation according to the following steps:

- (1) Make the upside of the instrument locked into the guide rail;
- (2) Push the downside of the instrument in the rail.



■ Maintenance

(1) Every product has been tested strictly before leaving factory. If users find any abnormality in the module, please contact the nearest agent or our company;

(2) In 5 years from the delivery date, if the product works improperly during normal operation, we will repair or replace it without payment.

Power transmitter

CZDL-IAC-10A



Please read the instruction manual carefully before use the product, and please safekeeping.

⚠ Caution

- Please check whether the product type on the package accords to the ordering contract;
- Read this manual carefully before installation or using. If there is something unclear, please dial technic support hotline-400 881 0780;
- Users are not allowed to dismantle or repair the transmitter otherwise it will induce malfunction.

Summarize

Power transmitter, realize transmission of AC current, can transfer complicated current like 0~1A/0~5A/0~10A into industry standard output. The product needs an independent power supply. Input, output and power supply are each galvanically isolated. Dielectric strength between input side and power, output is 4kV. The product adopts DIN35mm rail mounting, compact and convenient for installation on site.

Specification

Supply voltage: 90~260V AC
120~300V DC

Power consumption: ≤3VA

Input signal:

Measure input U_n : 0~1A/5A/10A AC

Frequency range: 40Hz~60Hz

Connection mode: Terminal

Max. input voltage U_{max} : $1.2 \times U_n$ (continuous), $2 \times U_n$ (1 minute)

Output signal:

Current: 0~20mA/4~20mA

Load resistance: $R_L \leq 550 \Omega$

Max. output current: 30mA

Voltage: 0~10V/0~5V/1~5V

Load resistance: $R_L \geq 100k \Omega$

Max. output voltage: 15V

Output accuracy: 0.5% F.S.

Temperature drift: 0.02% F.S./°C

Response time: Reach 90% of final value in 330ms

Electromagnetic compatibility:

According to IEC 61326-1 (GB/T 18268)

Dielectric strength:

Input~Output, power supply 4000V AC, 50Hz, 1min

Power supply~Output 1500V AC, 50Hz, 1min

Weight: Approx. 75g

Operation Conditions

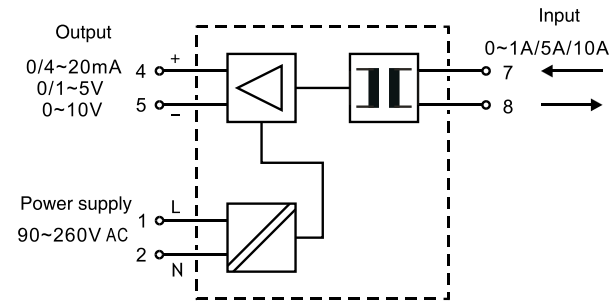
(1) The air should not contain any medium corrupting the coat of chrome, nickel and silver. Moreover, violent quiver and impact or any cause of electromagnetic induction (such as big current or spark, etc.) must be avoided when using;

(2) Operating temperature: -20°C~+60°C

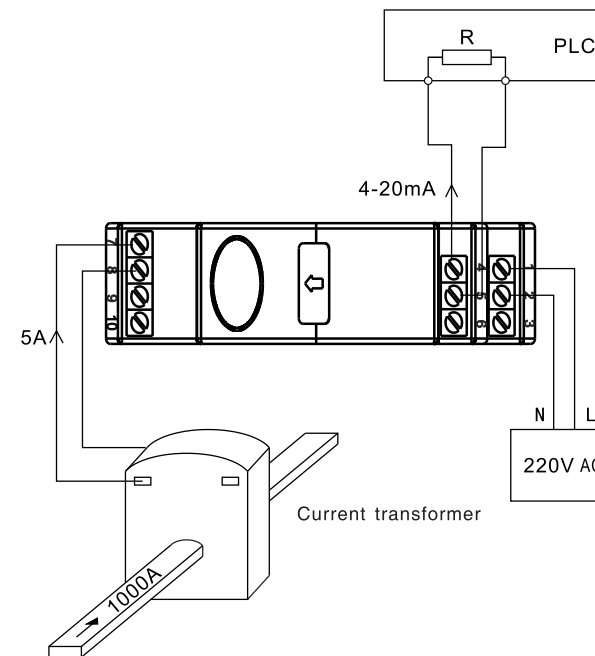
(3) Storage temperature: -40°C~+80°C

(4) Relative humidity: 10%~90%

Function Block Diagram



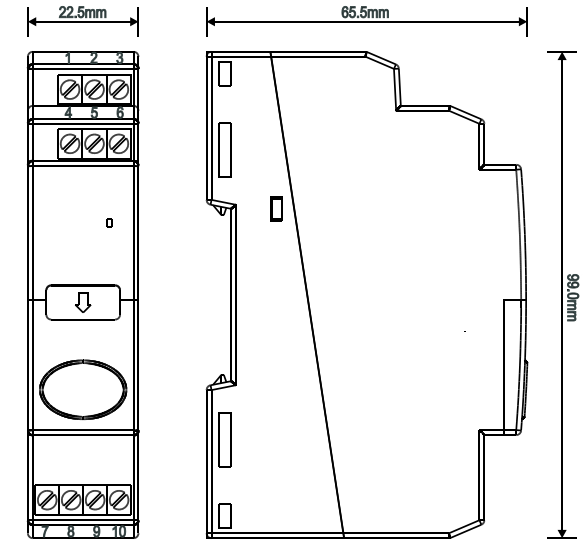
Extended Application Diagram



Note: Users need to match a suitable current transformer.

Dimensions

65.5mm×99.0mm×22.5mm



Order information

Order Type

CZDL-IAC-10A

Input Signal

- 0~1A
- 0~5A
- 0~10A
- Special

Output Signal

- 0~20mA
- 4~20mA
- 0~10V
- 0~5V
- 1~5V