

Encoder

Easydic Series Shaft Incremental Encoder EV28



Description

Small economical shaft encoder EV28 is widely used in light industries where space for sensor installation is a concern. The resolution is up to 600, and with its small size, light weight, and high precision, it fully meets the controlling requirements of the modern light industries. With the different shaft lengths available, the product can be used in a wide variety of industrial environments. It's one of the most recommended choices when in consideration of performance and cost.

Features

- Flexible coupling connection avoids damage to the encoder
- Stainless steel shaft $\Phi 4$ 、 $\Phi 5$ ensures high stability and protection
- Metal housing for better shock resistance
- Protection class IP50
- Reverse connection protection
- Short circuit protection
- Cable output, waterproof rubber end

Mechanical Characteristics

Shaft diameter (mm)	$\Phi 4/\Phi 5g6$
Protection acc. to EN 60529	IP50
Speed	6000, continuous
Max load capacity of the shaft	5Naxial, 10Nradial
Shock resistance	30G/11ms
Vibration resistance	6G 10~2000HZ
Bearing life	10^9 revolution
Moment of inertia	approx. 0.7×10^{-6} kgm ²
Starting torque	<0.01Nm
Body material	AL-alloy UNI9002-5
Housing material	AL-alloy UNI9002-5
Operating temperature	-20~+80 °C
Storage temperature	-30~+85 °C
Weight	100g

Resolution:
50,100,200,300,360,500,600

Electrical Characteristics

Output circuit	Push-pull	RS422	RS422
Resolution	Max. 600ppr	Max. 600ppr	Max. 600ppr
Supply voltage(VDC)	10-30V/5-30V	5V	10-30V
Power consumption (no load)	$\leq 125mA$	$\leq 80mA$	$\leq 80mA$
Permissible load (channel)	$\pm 80mA$	$\pm 50mA$	$\pm 50mA$
Pulse frequency	Max. 300kHz	Max. 300kHz	Max. 300kHz
Signal level high	Min.Ub-1.5V	Min.3.4V	Min.3.4V
Signal level low	Max.0.8V	Max.0.4V	Max.0.4V
Rise time Tr	Max 1 μs	Max 200ns	Max 200ns
Fall time Tr	Max 1 μs	Max 200ns	Max 200ns

Terminal Assignment

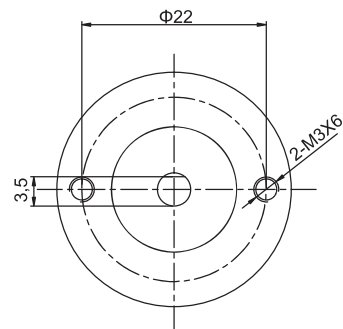
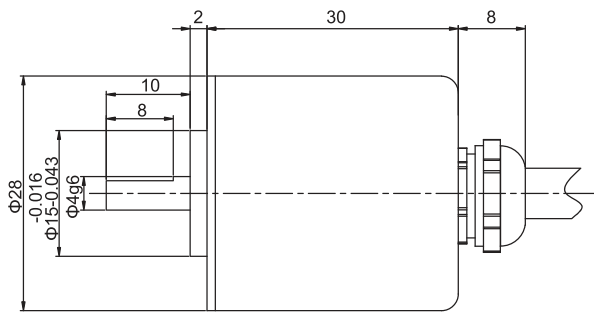
Signal	0V	+U _b	A	\bar{A}	B	\bar{B}	Z	\bar{Z}	Shield
Color	WH	BN	GN	YE	GY	PK	BU	RD	\perp

Encoder

Easydic Series Shaft Incremental Encoder EV28

Dimensions

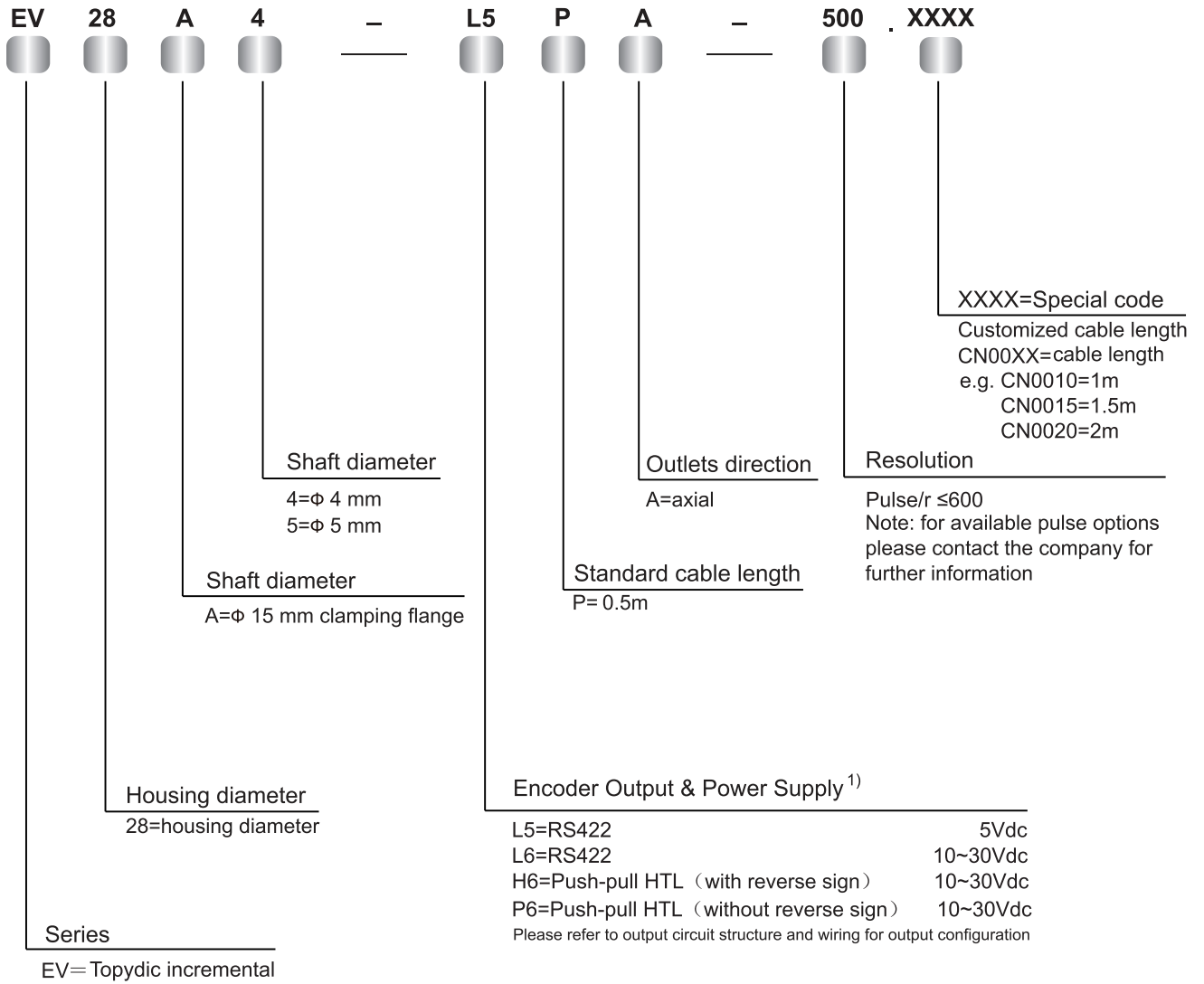
EV28



Encoder

Easydic Series Shaft Incremental Encoder EV28

Order Code



1)When UB=5V, short-circuit to channel, 0V, or +UB is permitted;
When UB is greater than 5V, short-circuit to channel or 0V is permitted