

<< Inductive Sensor

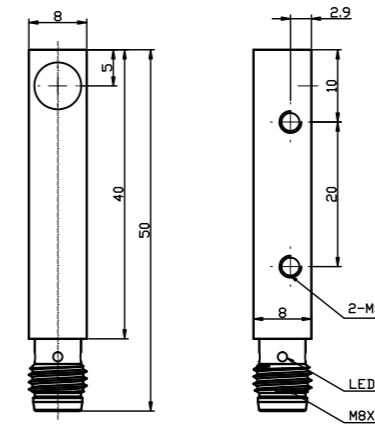
F11.5-MQ08-OP6L-Q8



Technical Data	
Type	F11.5-MQ08-OP6L-Q8
Rated operating distance S_n	1.5 mm
Mounting condition	Flush
Output function	3-wire, NO contact, PNP
Assured sensing range	$\leq (0,81 \times S_n)$ mm
Correction factors	$S_{t37}=1, V_{2A} \sim 0.7, A_I \sim 0.3$
Hysteresis	3...15%
Temperaturdrift	10%
Ambient temperature	-25...+70°C
Operating voltage	10...30VDC
Residual ripple	$\leq 10\%$ U_b
DC rated operational current	≤ 200 mA
No-load current	≤ 15 mA
Smallest operating current	≤ 1 mA
Residual current	≤ 0.1 mA
Voltage drop	≤ 2.5 V
Rated insulation voltage	≤ 0.5 kV
Short-circuit protection	Yes
Reverse polarity protection	Yes
Switching frequency	1000Hz
Dimensions	8x8x50mm
Housing material	Cu
Material active face	Plastic
Connection	Male, M8
Protection class	IP67
Indication of the switching state	LED,red
Compliance with standards and directives	EN 60947-5-2:2007 IEC 60947-5-2:2007

Dimensions:

Fig.1



Connection Diagram

