

<< Inductive Sensor

Metal Barrel-G-series



Description:

Brass nickel-plated, threaded barrel, extended operating distance, DC 2-wire output, IP68 protection class, LED indicator.

Technical Data:

Type	Rated Operating Distance Sn	Mounting	Output	Voltage Range U_B	Rated Current	Switching Frequency	Ambient Temperature	Connection	Fig
Fi2-G08-OD6L	2mm	Flush	DC NO	10...30VDC	≤100mA	800Hz	-30...85°C	2m cable	Fig.1
Fi2-G08-CD6L	2mm	Flush	DC NC	10...30VDC	≤100mA	800Hz	-30...85°C	2m cable	Fig.1
Ni4-G08-OD6L	4mm	Non-flush	DC NO	10...30VDC	≤100mA	600Hz	-30...85°C	2m cable	Fig.2
Ni4-G08-CD6L	4mm	Non-flush	DC NC	10...30VDC	≤100mA	600Hz	-30...85°C	2m cable	Fig.2

Dimensions:

Fig.1

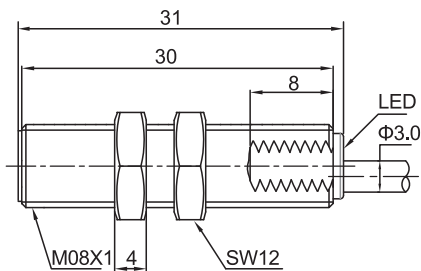
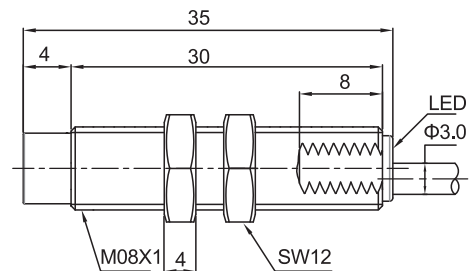


Fig.2



<< Inductive Sensor

Metal Barrel-G-series



Description:

Brass nickel-plated, threaded barrel, extended operating distance, DC 2-wire output, IP68 protection class, LED indicator.

Technical Data:

Type	Rated Operating Distance S_n	Mounting	Output	Voltage Range U_B	Rated Current	Switching Frequency	Ambient Temperature	Connection	Fig
Fi2-G08-OD6L-Q8	2mm	Flush	DC NO	10...30VDC	$\leq 100\text{mA}$	1200Hz	-30...85°C	M8 Connector	Fig.1
Fi2-G08-CD6L-Q8	2mm	Flush	DC NC	10...30VDC	$\leq 100\text{mA}$	1200Hz	-30...85°C	M8 Connector	Fig.1
Ni4-G08-OD6L-Q8	4mm	Non-flush	DC NO	10...30VDC	$\leq 100\text{mA}$	750Hz	-30...85°C	M8 Connector	Fig.2
Ni4-G08-CD6L-Q8	4mm	Non-flush	DC NC	10...30VDC	$\leq 100\text{mA}$	750Hz	-30...85°C	M8 Connector	Fig.2

Dimensions:

Fig.1

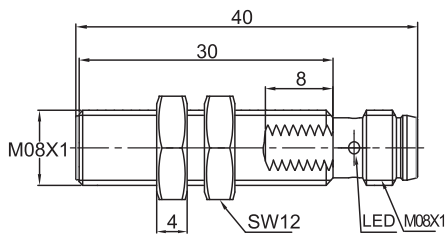
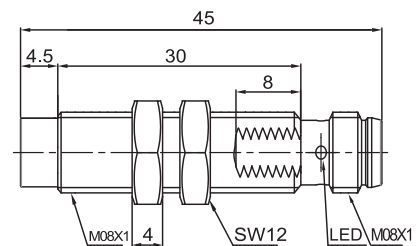
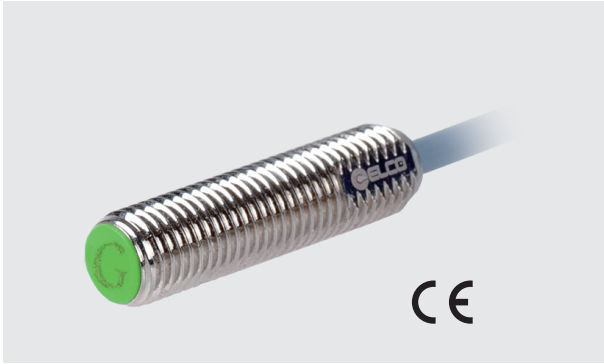


Fig.2



<< Inductive Sensor

Metal Barrel-G series



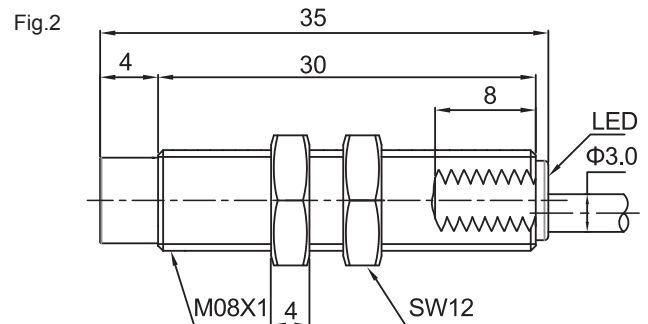
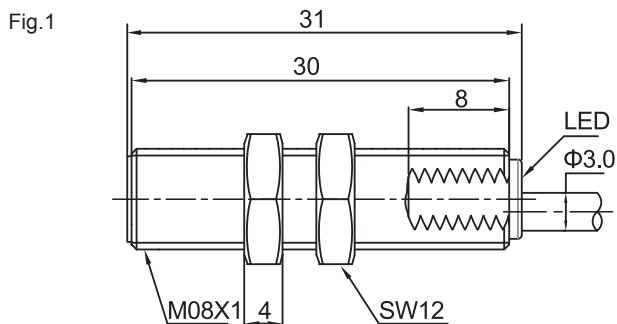
Description:

Brass nickel-plated, threaded barrel, extended operating distance, DC 3-wire output, IP68 protection class, LED indicator.

Technical Data:

Type	Rated Operating Distance S_n	Mounting	Output	Voltage Range U_B	Rated Current	Switching Frequency	Ambient Temperature	Connection	Fig
Fi2-G08-OP6L	2mm	Flush	PNP NO	10...30VDC	$\leq 200\text{mA}$	1400Hz	-30...85°C	2m cable	Fig.1
Fi2-G08-CP6L	2mm	Flush	PNP NC	10...30VDC	$\leq 200\text{mA}$	1400Hz	-30...85°C	2m cable	Fig.1
Fi2-G08-ON6L	2mm	Flush	NPN NO	10...30VDC	$\leq 200\text{mA}$	1400Hz	-30...85°C	2m cable	Fig.1
Fi2-G08-CN6L	2mm	Flush	NPN NC	10...30VDC	$\leq 200\text{mA}$	1400Hz	-30...85°C	2m cable	Fig.1
Ni4-G08-OP6L	4mm	Non-flush	PNP NO	10...30VDC	$\leq 200\text{mA}$	750Hz	-30...85°C	2m cable	Fig.2
Ni4-G08-CP6L	4mm	Non-flush	PNP NC	10...30VDC	$\leq 200\text{mA}$	750Hz	-30...85°C	2m cable	Fig.2
Ni4-G08-ON6L	4mm	Non-flush	NPN NO	10...30VDC	$\leq 200\text{mA}$	750Hz	-30...85°C	2m cable	Fig.2
Ni4-G08-CN6L	4mm	Non-flush	NPN NC	10...30VDC	$\leq 200\text{mA}$	750Hz	-30...85°C	2m cable	Fig.2

Dimensions:



<< Inductive Sensor

Metal Barrel-G series



Description:

Brass nickel-plated, threaded barrel, extended operating distance, DC 3-wire output, IP68 protection class, LED indicator.

Technical Data:

Type	Rated Operating Distance Sn	Mounting	Output	Voltage Range U_B	Rated Current	Switching Frequency	Ambient Temperature	Connection	Fig
Fi2-G08-OP6L-Q8	2mm	Flush	PNP NO	10...30VDC	≤200mA	1400Hz	-30...85°C	M8 Connector	Fig.1
Fi2-G08-CP6L-Q8	2mm	Flush	PNP NC	10...30VDC	≤200mA	1400Hz	-30...85°C	M8 Connector	Fig.1
Fi2-G08-ON6L-Q8	2mm	Flush	NPN NO	10...30VDC	≤200mA	1400Hz	-30...85°C	M8 Connector	Fig.1
Fi2-G08-CN6L-Q8	2mm	Flush	NPN NC	10...30VDC	≤200mA	1400Hz	-30...85°C	M8 Connector	Fig.1
Ni4-G08-OP6L-Q8	4mm	Non-flush	PNP NO	10...30VDC	≤200mA	750Hz	-30...85°C	M8 Connector	Fig.2
Ni4-G08-CP6L-Q8	4mm	Non-flush	PNP NC	10...30VDC	≤200mA	750Hz	-30...85°C	M8 Connector	Fig.2
Ni4-G08-ON6L-Q8	4mm	Non-flush	NPN NO	10...30VDC	≤200mA	750Hz	-30...85°C	M8 Connector	Fig.2
Ni4-G08-CN6L-Q8	4mm	Non-flush	NPN NC	10...30VDC	≤200mA	750Hz	-30...85°C	M8 Connector	Fig.2

Dimensions:

Fig.1

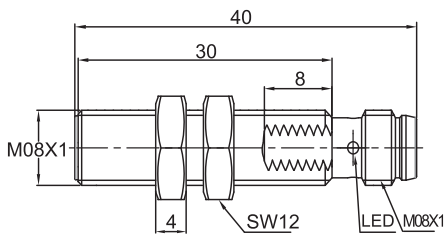


Fig.2

